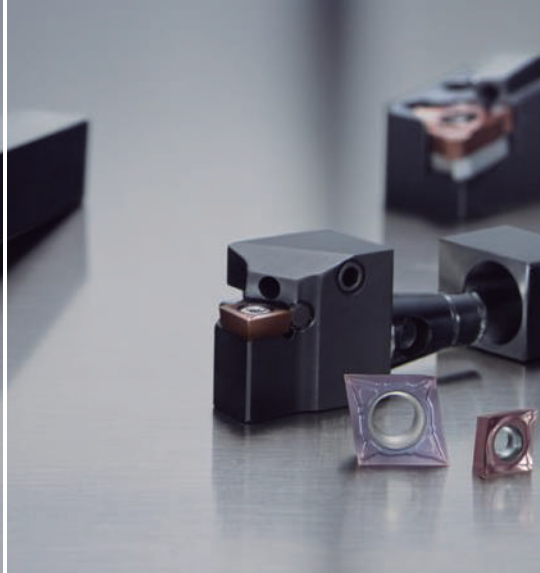




TANNER
MAQUINAS Y HERRAMIENTAS



SECO MODULAR QUICK-CHANGE (QC) HOLDER

PRODUCT SUMMARY & RANGE



REDUCE TOOL-CHANGE & INDEXING TIME IN SWISS MACHINING MODULAR QC HOLDER

To keep both insert indexing and unruly chips from stopping your small-part production, Seco developed patented insert pockets with Modular Quick-Change (QC) Swiss Toolholders. With fast, easy, and repeatable insert indexing, your downtime is reduced, your operations are streamlined, and your processes are secure. Jetstream Tooling® and Jetstream Duo technologies allow for effective chip evacuation and temperature control of the cutting zone via high-pressure coolant and dual coolant channels.

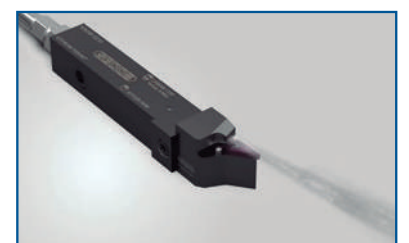
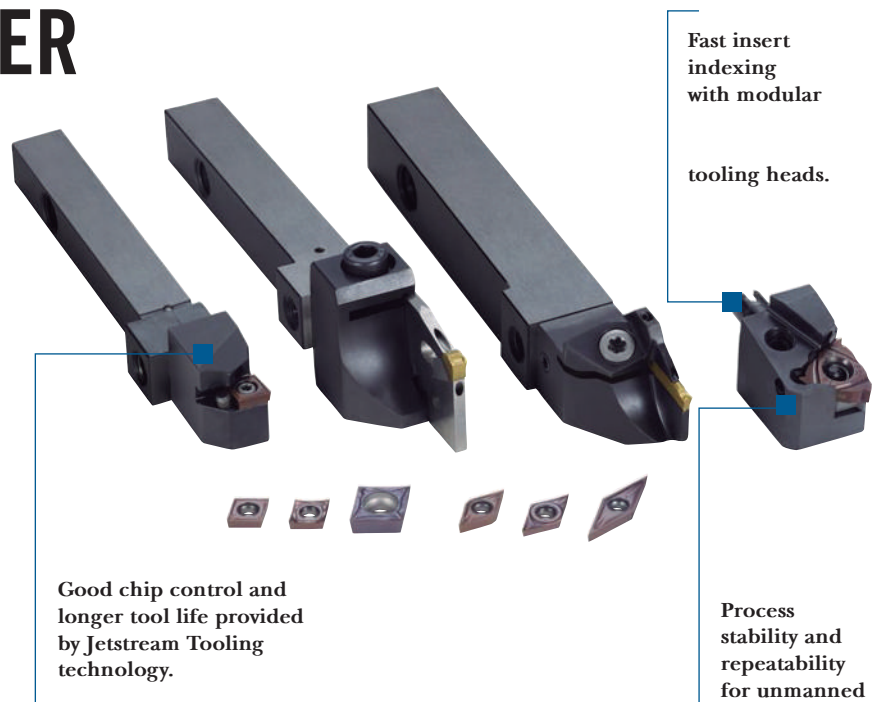
Tight machine work spaces make accessing and removing tools difficult. Because of its modular design, the QC toolholder eliminates the challenges of indexing small inserts. This system allows you to change the insert outside the machine which reduces downtime and production stoppages.

KEY BENEFITS

- Repeatability due to high precision tolerances on the interface
- Secure single lock system makes it easy to use
- Predictable tool life with Jetstream Tooling
- Multiple heads fit on a single shank offering versatility
- Precision insert positioning due to patented carbide pin pocket design
- Productivity increased from less machine downtime between tool changes
- Increased cutting parameters from Jetstream Tooling

RANGE OVERVIEW

- Metric size 10 mm, 12 mm, & 16 mm
- Inch size 0.375", 0.500", & 0.625"



Contact us: **CHIHUAHUA. CHIH**
gerencianoroeste@tannerherramientas.com
Tel: (614) 414 2223

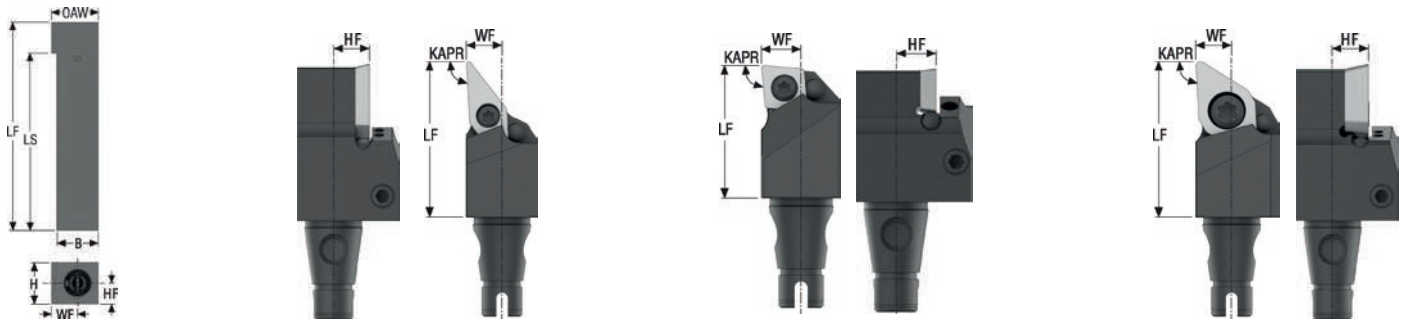
Follow us on:
 EL PASO. TX
texas@tannerherramientas.com
Tel: (915) 532 6165

GUAYMAS. SON
gerencianoroeste@tannerherramientas.com
Tel: (622) 224 6081

MONTERREY. NL
gerencianoroeste@tannerherramientas.com
Tel: (81) 8312 1711

QUERÉTARO. QRO
gerenciacentro@tannerherramientas.com
Tel: (442) 216 8862

TORREÓN. COAH
gerenciacoah@tannerherramientas.com
Tel: (871) 169 3540

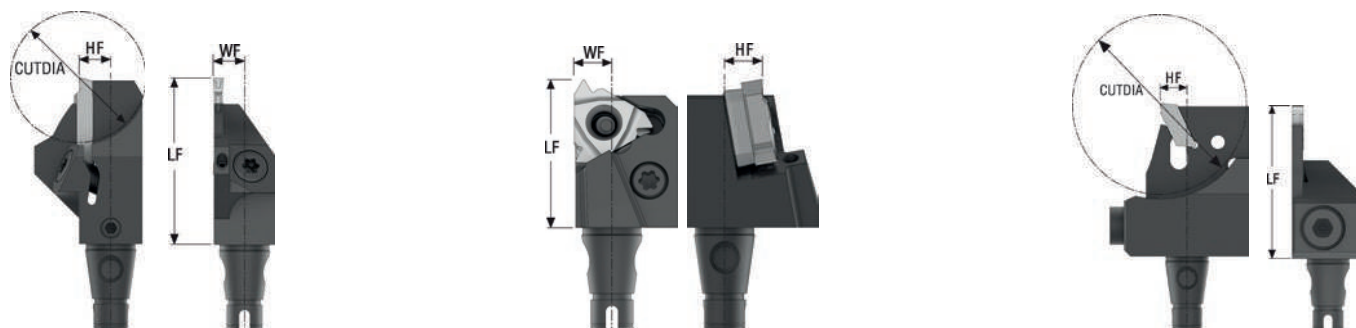


QUICK-CHANGE SHANKS

PRODUCT NUMBER	DESIGNATION	DIMENSIONS IN MM / INCH							
		H	B	LF	LS	WF	HF	OAW	
METRIC									
03280749	N1010F-QC12	10,00	11,00	80	68	6,0	5,00	16,00	
03280750	N1212F-QC12	12,00	12,00	80	68	6,0	6,00	16,00	
METRIC / INCH									
03280751	N0625F-QC16 / N1616F-QC16	16,00 / 0.625	16,00 / 0.625	80 / 3.15	68 / 2.67	8,0 / 0.314	8,00 / 0.314	18,00 / 0.708	
INCH									
03280752	N0375F-QC12	0.375	0.423	3.15	2.677	0.236	0.187	0.629	
03280753	N050F-QC12	0.500	0.486	3.15	2.677	0.236	0.263	0.643	

ISO TURNING HEADS

PRODUCT NUMBER	DESIGNATION	DIMENSIONS IN MM / INCH			KAPR°	INSERT
		HF	LF	WF		
03280836	QC12-SCLCR-06JET	5,97 / 0.23	20 / 0.78	5,95 / 0.23	95	CC..0602../CC..21.5..
03280839	QC12-SCLCL-06JET	5,97 / 0.23	20 / 0.78	5,95 / 0.23	95	CC..0602../CC..21.5..
03280754	QC12-SCLCR-09JET	5,97 / 0.23	22 / 0.86	5,95 / 0.23	95	CC..09T3../CC..32.5..
03280755	QC12-SCLCL-09JET	5,97 / 0.23	22 / 0.86	5,95 / 0.23	95	CC..09T3../CC..32.5..
03280756	QC16-SCLCR-09JET	7,90 / 0.31	24 / 0.94	7,95 / 0.31	95	CC..09T3../CC..32.5..
03280757	QC16-SCLCL-09JET	7,90 / 0.31	24 / 0.94	7,95 / 0.31	95	CC..09T3../CC..32.5..
03280758	QC12-SDJCR-07JET	5,97 / 0.23	22 / 0.86	5,95 / 0.23	93	DC..0702../DC..21.5..
03280759	QC12-SDJCL-07JET	5,97 / 0.23	22 / 0.86	5,95 / 0.23	93	DC..0702../DC..21.5..
03280760	QC12-SDJCR-11JET	5,97 / 0.23	26 / 1.02	5,95 / 0.23	93	DC..11T3../DC..32.5..
03280761	QC12-SDJCL-11JET	5,97 / 0.23	26 / 1.02	5,95 / 0.23	93	DC..11T3../DC..32.5..
03280762	QC16-SDJCR-11JET	7,90 / 0.31	26 / 1.02	7,95 / 0.31	93	DC..11T3../DC..32.5..
03280763	QC16-SDJCL-11JET	7,90 / 0.31	26 / 1.02	7,95 / 0.31	93	DC..11T3../DC..32.5..
03280764	QC12-SVJBR-11JET	5,97 / 0.23	26 / 1.02	5,95 / 0.23	93	VB..1102../VB..21.5..
03280765	QC12-SVJBL-11JET	5,97 / 0.23	26 / 1.02	5,95 / 0.23	93	VB..1102../VB..21.5..
03280766	QC16-SVJBR-11JET	7,90 / 0.31	26 / 1.02	7,95 / 0.31	93	VB..1102../VB..21.5..
03280767	QC16-SVJBL-11JET	7,90 / 0.31	26 / 1.02	7,95 / 0.31	93	VB..1102../VB..21.5..



PRODUCT NUMBER	DESIGNATION	DIMENSIONS IN MM / INCH				BLADE	INSERT
		HF	LF	WF	CUTDIA		
MULTI-DIRECTIONAL TURNING (MDT) HEADS							
03280768	QC12-CFOR-1902RBJET	5,97 / 0.235	32,0 / 1.26	6,0 / 0.236	25,4 / 1.00	-	LC..1902..
03280769	QC12-CFOL-1902RBJET	5,97 / 0.235	32,0 / 1.26	6,0 / 0.236	25,4 / 1.00	-	LC..1902..
03280770	QC16-CFOR-1902RBJET	7,90 / 0.311	32,0 / 1.26	8,0 / 0.315	25,4 / 1.00	-	LC..1902..
03280771	QC16-CFOL-1902RBJET	7,90 / 0.311	32,0 / 1.26	8,0 / 0.315	25,4 / 1.00	-	LC..1902..
SNAP-TAP THREADING HEADS							
03280772	QC12-PER-16HDJET	5,97 / 0.235	25,0 / 0.98	6,0 / 0.236	-	-	16ER..
03280773	QC12-PEL-16HDJET	5,97 / 0.235	25,0 / 0.98	6,0 / 0.236	-	-	16EL..
03280774	QC16-PER-16HDJET	7,90 / 0.311	25,0 / 0.98	8,0 / 0.315	-	-	16ER..
03280775	QC16-PEL-16HDJET	7,90 / 0.311	25,0 / 0.98	8,0 / 0.315	-	-	16EL..
150.10 CUT-OFF HEADS							
03280776	QC12-R150.10-15JETI	6,00 / 0.236	34,2 / 1.35	-	38,0 / 1.50	150.10A-15..	150.10..
03280777	QC12-L150.10-15JETI	6,00 / 0.236	34,2 / 1.35	-	38,0 / 1.50	150.10A-15..	150.10..
03280778	QC16-R150.10-15JETI	8,00 / 0.315	34,2 / 1.35	-	38,0 / 1.50	150.10A-15..	150.10..
03280779	QC16-L150.10-15JETI	8,00 / 0.315	34,2 / 1.35	-	38,0 / 1.50	150.10A-15..	150.10..

TS2050

PRODUCT NUMBER	ISO DESIGNATION	ANSI DESIGNATION	GRADE	PRODUCT NUMBER	ISO DESIGNATION	ANSI DESIGNATION	GRADE
3280808	CCGT060202F-AL	CCGT21.50.5F-AL	TS2050	3280815	DCGT070201-MF2	DCGT21.50-MF2	TS2050
3280809	CCGT060204F-AL	CCGT21.51F-AL	TS2050	3280816	DCGT070202-MF2	DCGT21.50.5-MF2	TS2050
3280805	CCGT060201-MF2	CCGT21.50-MF2	TS2050	3280820	DCGT11T301-MF2	DCGT32.50-MF2	TS2050
3280806	CCGT060202-MF2	CCGT21.50.5-MF2	TS2050	3280821	DCGT11T302-MF2	DCGT32.50.5-MF2	TS2050
3280807	CCGT060204-MF2	CCGT21.51-MF2	TS2050	3280822	DCGT11T304-MF2	DCGT32.51-MF2	TS2050
3280814	CCGT09T302F-AL	CCGT32.50.5F-AL	TS2050	3280822	DCGT11T304-MF2	DCGT32.51-MF2	TS2050
3259417	CCGT09T304F-AL	CCGT32.51F-AL	TS2050	3280823	TCGT090202F-AL	TCGT1.81.50.5F-AL	TS2050
3280810	CCGT09T3005-F1	CCGT32.50.0-F1	TS2050	3280824	TCGT090204F-AL	TCGT1.81.51F-AL	TS2050
3280811	CCGT09T301-F1	CCGT32.50-F1	TS2050	3280825	TCGT110202F-AL	TCGT21.50.5F-AL	TS2050
3280812	CCGT09T302-F1	CCGT32.50.5-F1	TS2050	3280826	TCGT110204F-AL	TCGT21.51F-AL	TS2050
3280813	CCGT09T304-F1	CCGT32.51-F1	TS2050	3280827	VBGT110201-MF2	VBGT21.50-MF2	TS2050
3280817	DCGT0702005F-AL	DCGT21.50.0F-AL	TS2050	3280828	VBGT110202-MF2	VBGT21.50.5-MF2	TS2050
3280818	DCGT070201F-AL	DCGT21.50F-AL	TS2050	3280829	VBGT110204-MF2	VBGT21.51-MF2	TS2050
3133418	DCGT070202F-AL	DCGT21.50.5F-AL	TS2050	3071369	VCVT110302F-AL	VCVT220.5F-AL	TS2050
3280819	DCGT070204F-AL	DCGT21.51F-AL	TS2050	3280830	VCVT110304F-AL	VCVT221F-AL	TS2050

SECO MODULAR QUICK-CHANGE (QC) HOLDER

PRODUCT SUMMARY & RANGE

FAST INSERT INDEXING

The Modular QC Tooling System allows the square shank to remain mounted in the machine to quickly remove both the cutting head and insert as one unit. Index inserts outside of the machine then reinstall both fast and efficiently. Alternatively, you can exchange the removed head and insert with a second cutting head and insert in a matter of seconds.

Small inserts can be hard to seat properly in the toolholder pocket. Insert pockets designed using carbide pins as support guarantees precise and consistent insert indexing. The QC cutting head features double carbide pins that ensure the mounting of the insert is accurate every time.

Poor chip control can hinder unmanned small-part operations on swiss-style machines and continuously cause production stoppages. Efficiently evacuate chips with Jetstream Tooling® and Jetstream Duo technologies incorporated into the Seco Modular QC Tooling System.

INDUSTRY TARGETS

- **Aerospace:** Specialty fasteners, fittings, spindles, flanges
- **Automotive:** Shock absorber bolts, axle nuts, fittings, valves, threaded rods, gauges
- **General Machining:** Interior components for home appliances, valves, nozzles, bearings, shafts, fasteners
- **Power Generation:** High-strength fasteners, metal knobs, spacers
- **Medical:** Dental and surgical tools, standard and custom bio implants, bone screws and bolts

MATERIAL GROUPS
Steel P1-P11
Stainless Steel M1-M5
Cast Iron K1-K7
Non-ferrous N1-N11
Superalloys S1-S3
Hardened Steels H5-H21

IMPACT	BENEFITS	ADVANTAGES	FEATURES
Fast and secure indexing	Increased machining time	Increased production capacity	Secure single-lock Quick-Change system
Precise and consistent indexing	Reliable part quality	Scrap reduction cost savings	Patented carbide pin pocket design
Precision high pressure coolant delivery	Efficient chip evacuation and extended tool life	Increased operator safety, part quality and parts per insert edge	Jetstream Tooling and Jetstream Duo

Contact us:

CHIHUAHUA. CHIH
gerencianoeste@tannerherramientas.com
Tel: (614) 414 2223

GUAYMAS. SON
gerencianoeste@tannerherramientas.com
Tel: (622) 224 6081

QUERÉTARO. QRO
gerenciacentro@tannerherramientas.com
Tel: (442) 216 8862

Follow us on:



EL PASO. TX
texas@tannerherramientas.com
Tel: (915) 532 6165

MONTERREY. NL
gerencianoeste@tannerherramientas.com
Tel: (81) 8312 1711

TORREÓN. COAH
gerenciacoah@tannerherramientas.com
Tel: (871) 169 3540